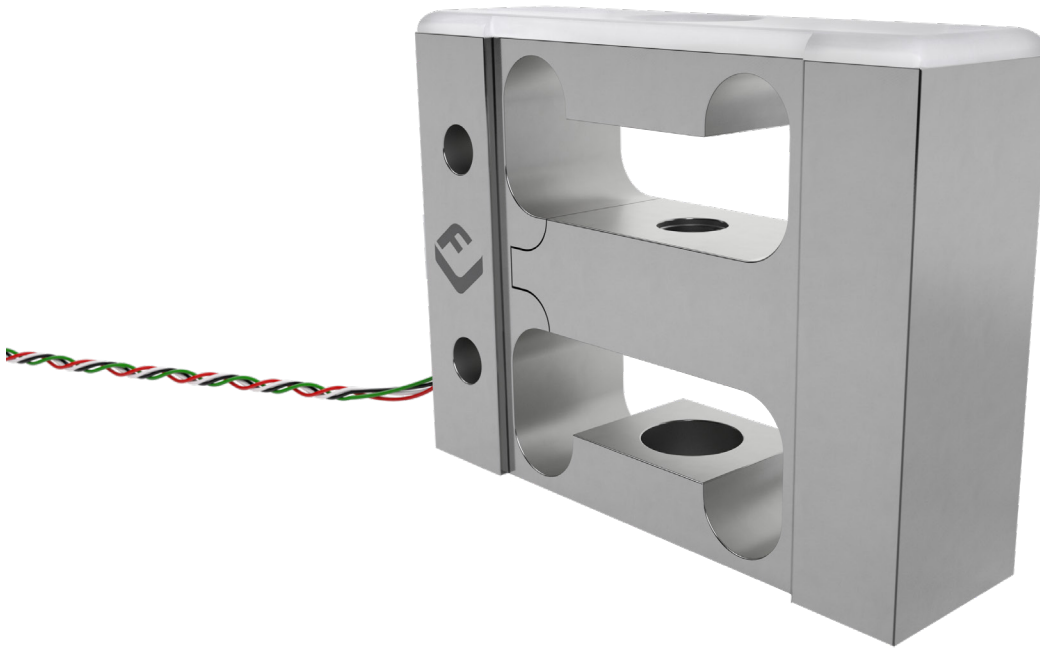


PD3 parallelogram load cell



product description

The PD3 is a high-performance load cell capable of 0.05% non-linearity in capacities from 2.2 pounds up to 500 pounds in both tension and compression.

The internal overload stops provide protection up to 1000% of the rated capacity which is especially important with lower capacity designs. With a length of 1.75" and a height of 1.27", the compact size PD3 makes it an ideal choice in applications where space is limited.

The PD3 is also available in 2 different design alternatives that offer varying load introduction techniques. The standard design includes a threaded hole in the center beam while the optional "saddle" design provides some additional flexibility in terms of mounting. Both designs are constructed from a high-grade 2024 aluminum up to 100 pounds and 17-4 Stainless at capacities of 200 and beyond.

The standard PD3 provides an environmental seal consistent with an IP65 rating. It also includes flying leads but can be fitted with a variety of user preferred connectors suitable for your application.

applications

Force testing machines across a wide variety of applications.

key features

Capacity range from 2.2lb to 500lb

Overload protection

Built from high-grade aluminium (2.2-100lb) and stainless steel (200 & 500lb)

Environmental protection to IP65

Accurate and compact

options + accessories

Range of cable lengths

Flying leads or cable connectors

A comprehensive range of electronic modules and accessories available

Optional saddle mounted adapter



specifications

Maximum Capacity (E _{max})	lb	2.2	5	10	25	50	100	200	500
Maximum Capacity (E _{max})	N	9.8	22.2	44.5	111	222	445	890	2224
Rated Output (RO)	mV/V	2.0							
Rated Output Tolerance	% RO	±10							
Non-linearity	% RO	<±0.05							
Hysteresis	% RO	<±0.05							
Zero Balance	% RO	<±2							
Temperature effect on Zero Balance	%RO/ F	<±0.005							
Temperature effect on Sensitivity	%RO/ F	<±0.005							
Creep (30 Minutes)	% RO	<±0.05							
Nonrepeatability	% RO	<±0.01							
Excitation Voltage	VAC/VDC	5...15							
Input Resistance	Ω	1,000 NOM							
Output Resistance	Ω	1,000 NOM							
Insulation Resistance	@ 50VDC	>10G Ω							
Compensated Temperature Range	°F	60...160							
Operating Temperature Range	°F	0...160							
Overload Engagement	%RO	>120							
Maximum Safe Overload	lbs	50	50	100	100	200	250	400*	1,000*
Load Cell Material (2.2...100lb)	-	Aluminum							
Load Cell Material (200 and 500lb)	-	17-4PH SS							
IP Rating	-	65							

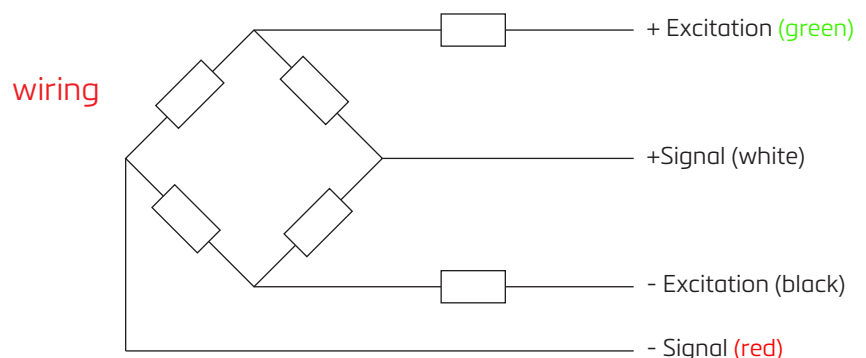
* Pins required in diam. 0.094 holes

tolerances (in)

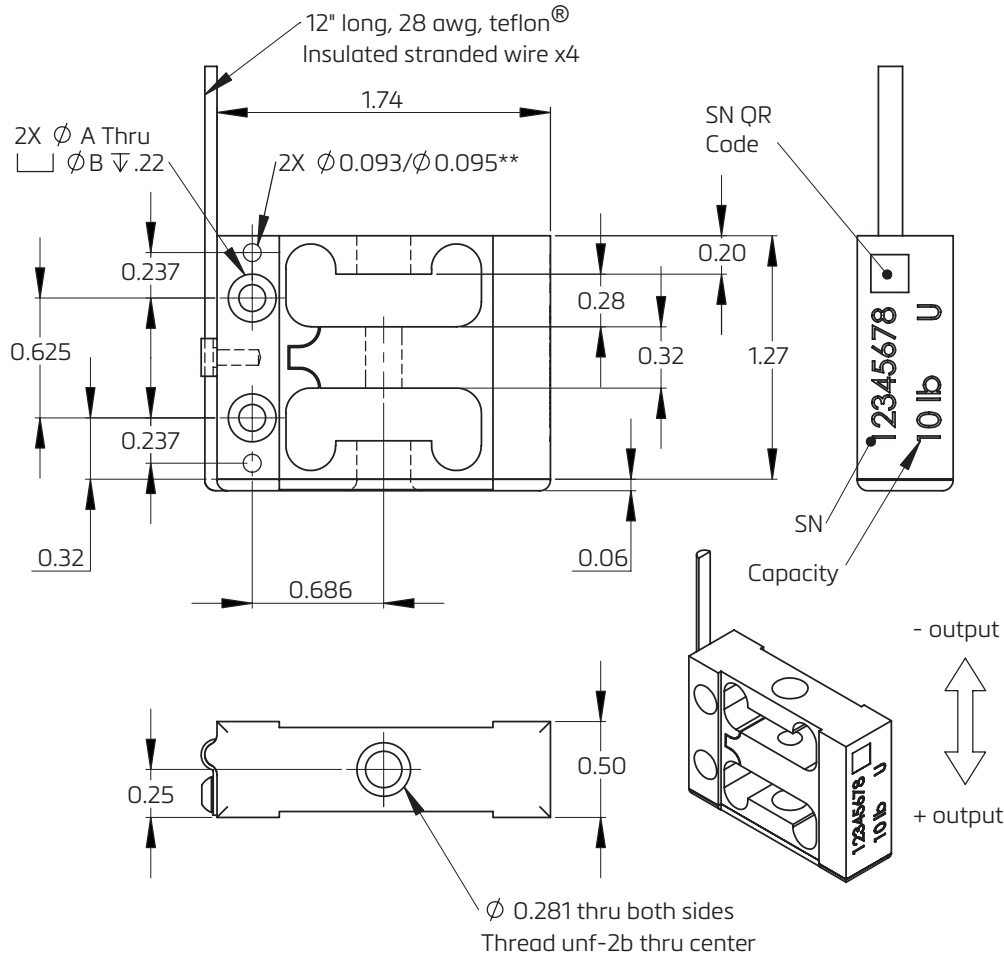
X.XX - ±0.010

X.XXX - ±0.005

(Unless otherwise stated)



product dimensions (in)



Capacity (lb)	Capacity (N)	Thread	A	B	Safe overload (lb)
2.2	9.8	#10-32	0.14	0.25	50
5	22.2				50
10	44.5				100
25	111				100
50	222				200
100	445				250
200	890				400*
500	2224	1/4-28	0.21	0.34	1,000*

* Pins required in diam. 0.094 holes

Specifications and dimensions are subject to change without notice.