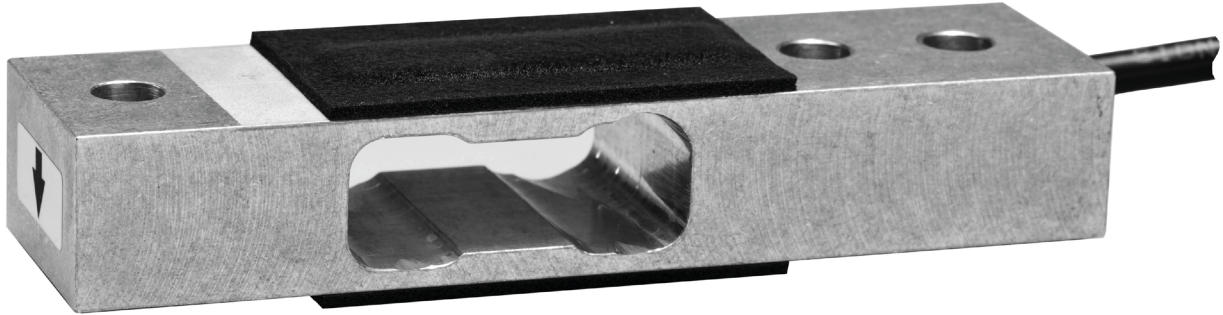


---

# SB61C single point load cell



## product description

The SB61C is an economical alternative to the Flintec SB8 beam load cell. The SB61C is designed to be a drop-in replacement for the SB8 for applications that do not require trade approved weighing performance. Constructed from aluminium and environmentally sealed with potting compound to ensure durability. Available in a single capacity of 50kg.

## applications

Process Weighing systems, bagging machinery.

## accessories

Compatible range of electronics

---

## key features

Aluminium construction

---

Low profile design

---

Environmentally sealed by potting to IP67

---

Bolt-hole compatible with SB6, SB8 and ZLB

---

For platform sizes of up to 250 x 250mm

---

Rated output with tight tolerances for easy load cell replacement, no recalibration required

---

Capacity of 50kg

---



RoHS  
compliant

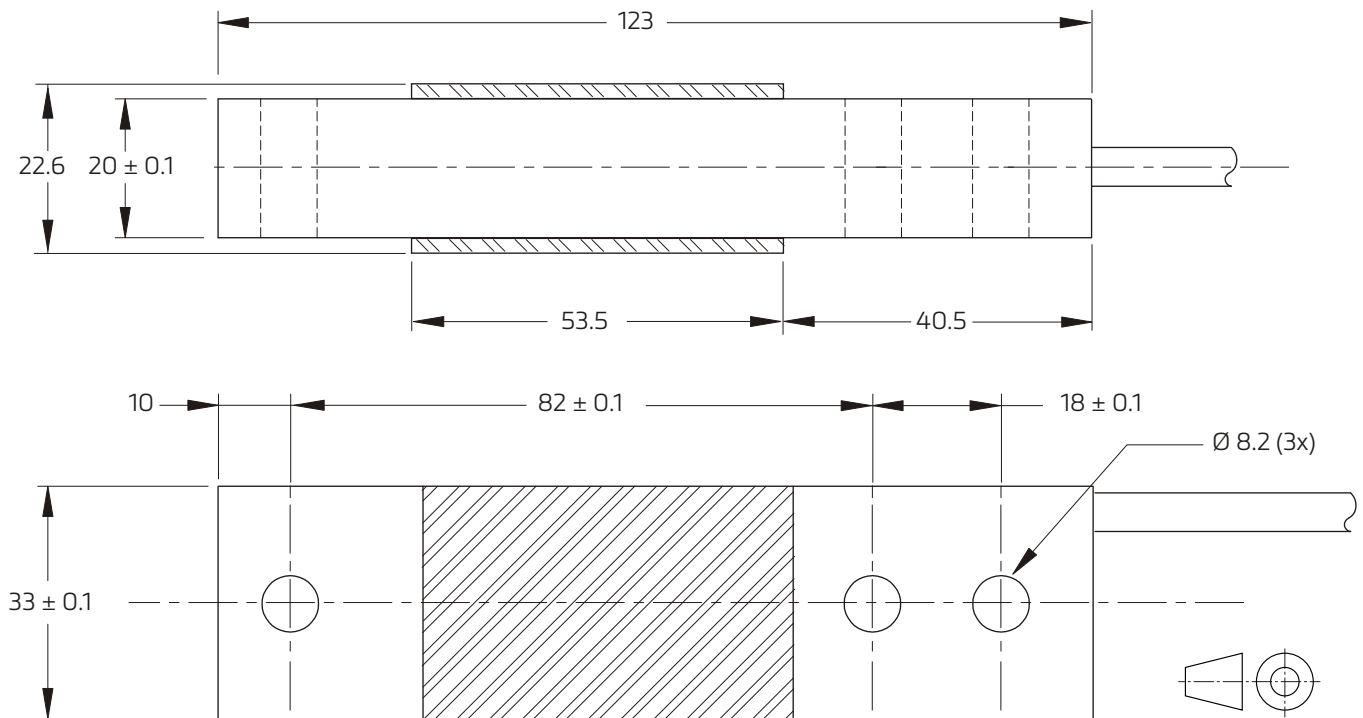


## specifications

Maximum capacity ( $E_{max}$ )	kg	50
Accuracy class	$\%*E_{max}$	$\pm 0.1$
Maximum number of intervals ( $n_{LC}$ )		1,000
Minimum load cell interval	g	50
Temperature effect on minimum dead load output ( $TC_0$ )	$\%*RO/10^{\circ}C$	$\pm 0.0400$
Temperature effect on sensitivity ( $TC_{RO}$ )	$\%*RO/10^{\circ}C$	$\pm 0.0200$
Combined error	$\%*RO$	$\pm 0.0400$
Creep error (30 minutes) / DR	$\%*RO$	$\pm 0.0600$
Rated output (RO)	mV/V	$2 \pm 0,1\%$
Zero balance	$\%*RO$	$\pm 1$
Excitation voltage	V	5...15
Input resistance ( $R_{LC}$ )	$\Omega$	$390 \pm 10$
Output resistance ( $R_{out}$ )	$\Omega$	$330 \pm 25$
Insulation resistance (100 V DC)	M $\Omega$	$\geq 5000$
Safe load limit ( $E_{lim}$ )	$\%*E_{max}$	200
Ultimate load	$\%*E_{max}$	300
Safe side load	$\%*E_{max}$	100
Maximum platform size; loading acc. OIML R76	mm	250 x 250
Maximum off center distance at maximum capacity	mm	95
Maximum off center error	$\%*E_{max}$	$\pm 0,1$
Compensated temperature range	$^{\circ}C$	-10...+40
Operating temperature range	$^{\circ}C$	-20...+65
Load cell material		aluminium
Sealing		potted
Protection according EN 60 529		IP67
Packet weight	kg	0.4



## product dimensions (mm)



Mounting bolts M8 8.8; torque 25 Nm. Torque value assumes oiled threads.

## wiring

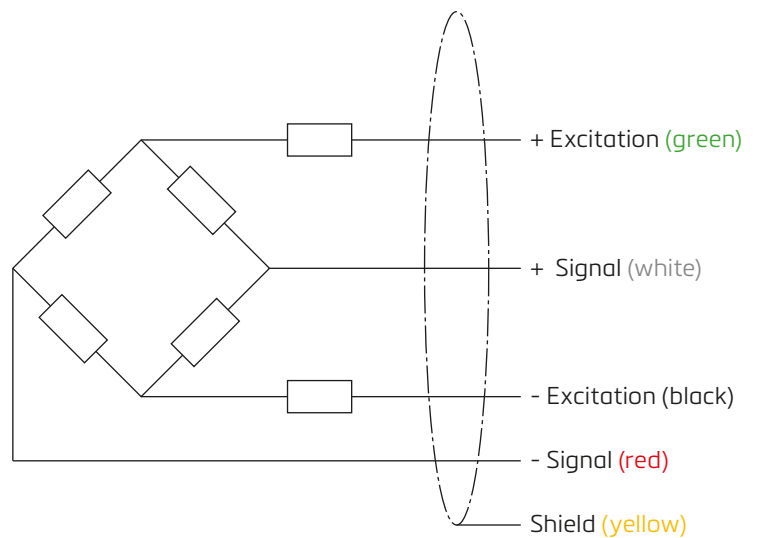
The load cell is provided with a shielded, 4 conductor cable (AWG 24).

Cable jacket polyurethane

Cable length: 3 m

Cable diameter: 5 mm

The shield is connected to the load cell body



Specifications and dimensions are subject to change without notice.