

---

# 55-01-07A rocker system



## product description

Flintec load cell supports are designed to prevent unwanted forces from affecting load cell performance.

Zinc plated steel mounting hardware for the RC1 rocker load cell. Designed to be self-aligning, the 55-01-07A ensures optimum weighing accuracy in a range of industrial applications. Ideal for truck scale systems. A mounting fixture is available for easy and accurate positioning of foundation plates.

## applications

Truck scales, axle scales.

## accessories

Mounting fixture

---

Welding plate

---

## key features

Zinc plated steel construction

---

Anti-rotation device

---

Capacities of 25t, 40t, 60t and 90t

---

Low cost

---

Very easy to install

---

Especially designed for weighbridges

---

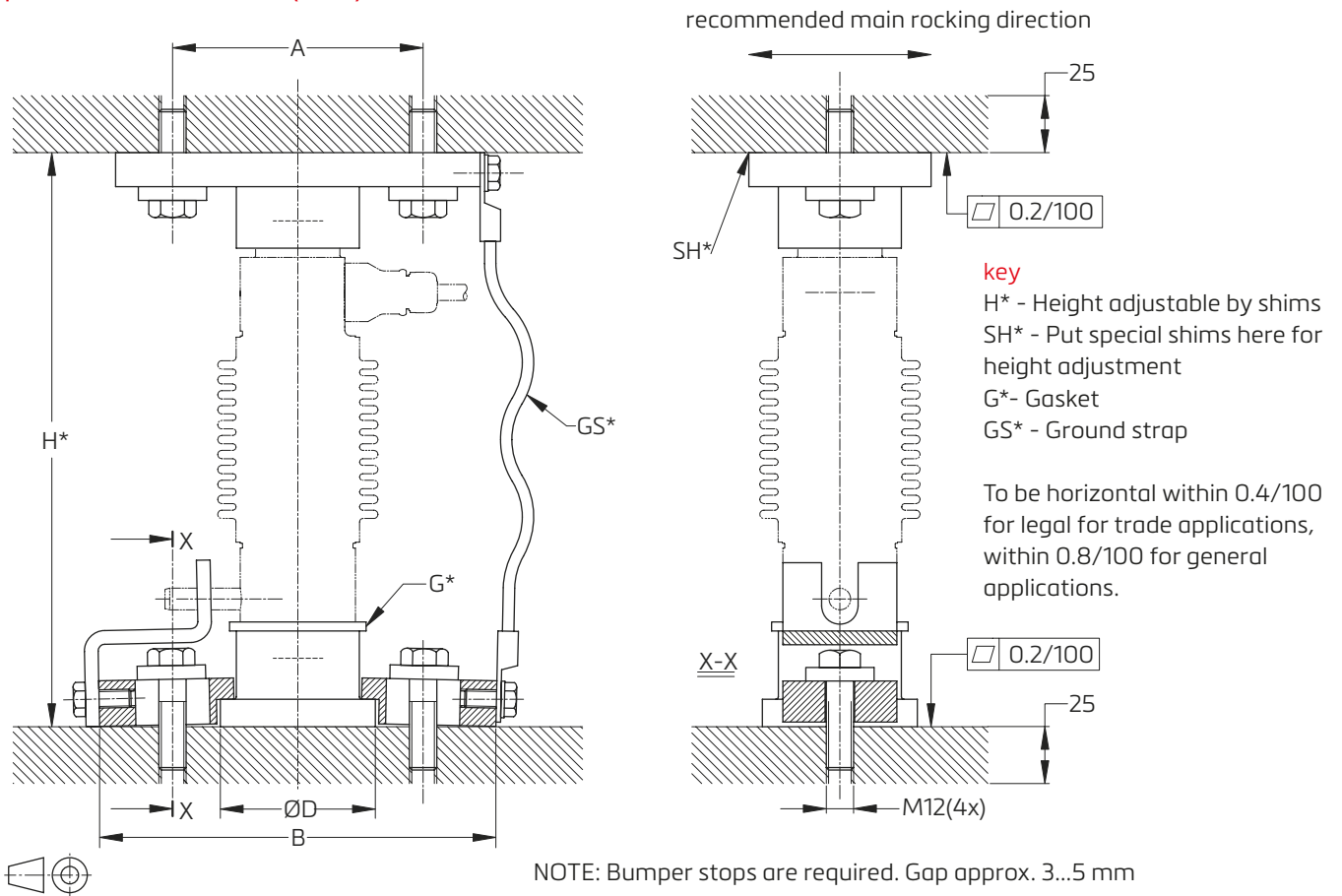
W&M certified

---

RoHS  
compliant

 **flintec**  
quality + precision

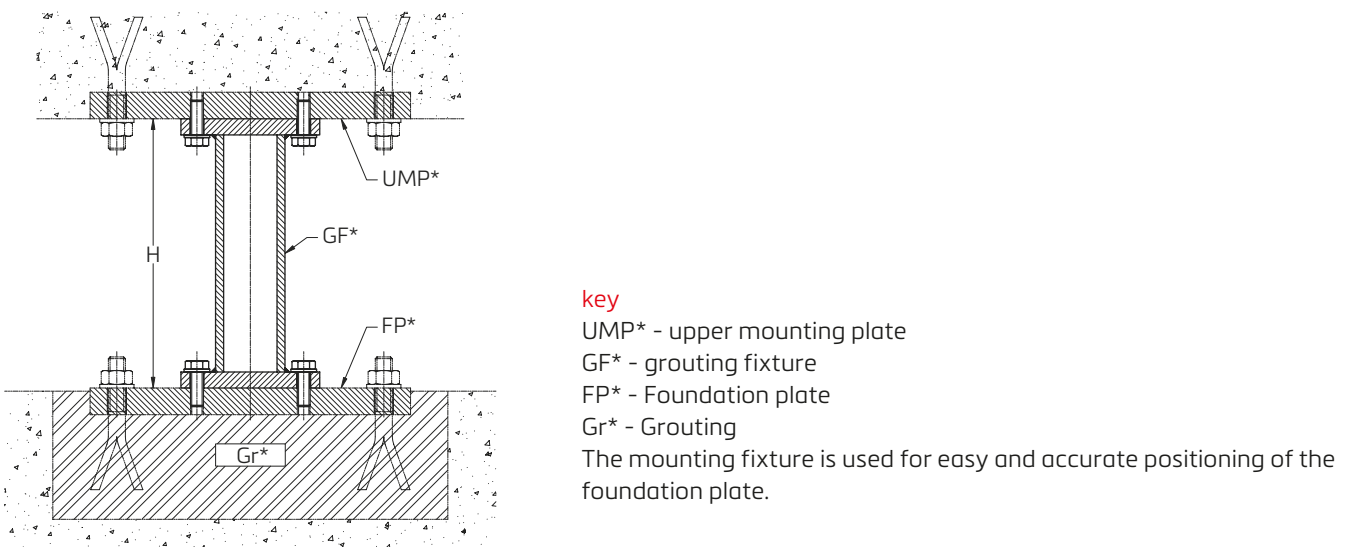
## product dimensions (mm)



Load cell type	A	B	D	H
RC1-250 kN	110	176	68	252
RC1-400 kN				285
RC1-600 kN	130	196	88	300
RC1-900 kN				

CAD files for customer's own application drawings are available for download from the Flintec homepage.

## accessories



Specifications and dimensions are subject to change without notice.