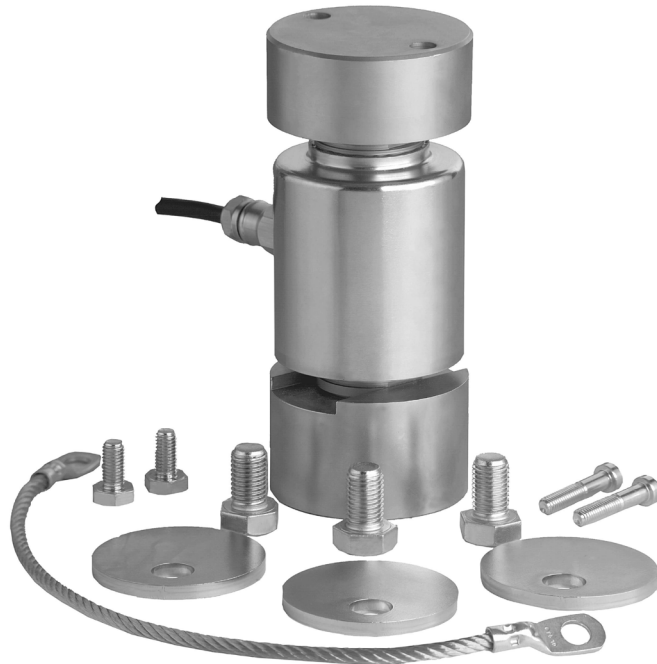


55-01-07H rocker system



product description

Flintec load cell supports are designed to prevent unwanted forces from affecting load cell performance.

The 55-01-07H rocker system extends the range of Flintec mounting systems for the RC3 and RC3D load cells. Available for the 30T and 40T RC3 and RC3D load cells it is designed to be easy to install and maintain and yet ensures high accuracy weigh results in truck scales.

applications

Truck scales, axle scales.

key features

Zinc plated steel construction

Anti-rotation cups

Self-aligning

Capacities of 30t and 40t

Low cost

Very easy to install

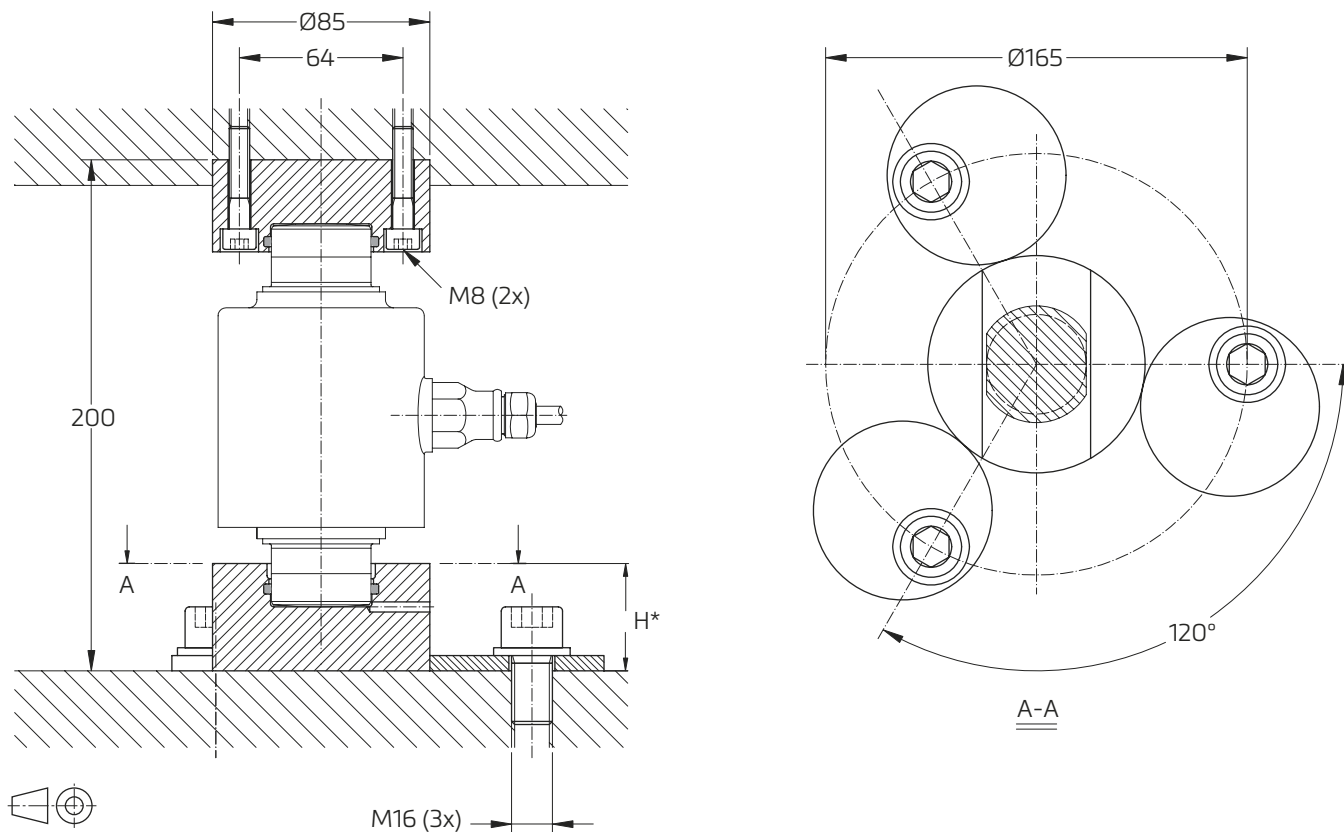
Especially designed for weighbridges

W&M certified

RoHS
compliant

 **flintec**
quality + precision

product dimensions (mm)



*H = 52mm for RC3-30t = 42mm for RC3-40t = 42mm for RC3D-30t and RC3D-40t

NOTES:

Bumper stops are required. Gap approx. 3...5 mm.

Mounting surfaces to be horizontal.

- within 0.4/100 for legal for trade applications
- within 0.8/100 for general applications.

Ground cable (L=350mm) to be mounted with screws M10 x 20.

CAD files for customer's own application drawings are available for download from the Flintec homepage.

